

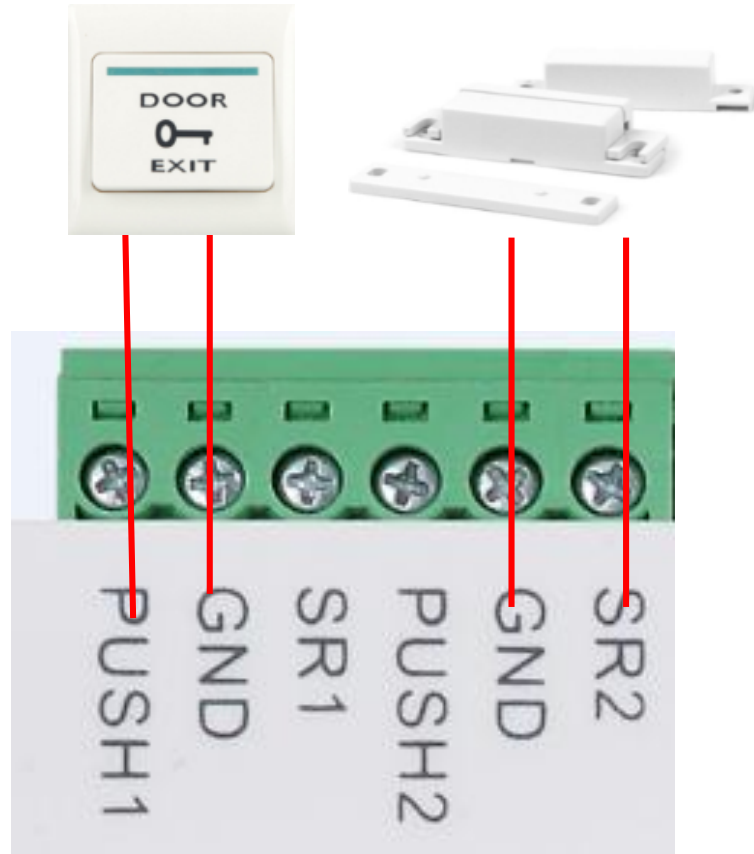


Access Control Wiring

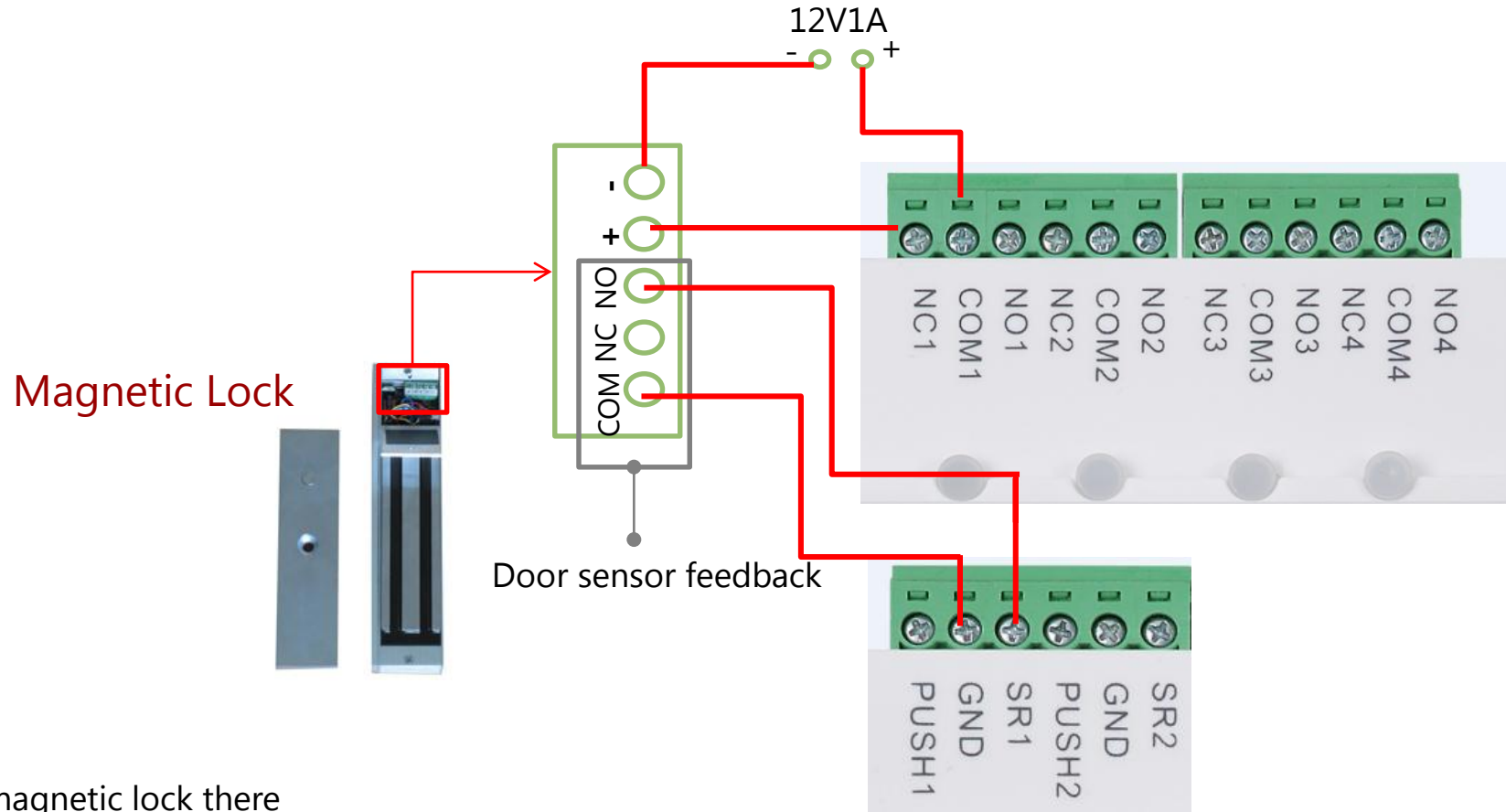
Device List

Device Type	List
Controller	DH-ASC1204B-S
Reader	ASR1201D
Accessories	Exit Button: ASF900 Magnetic Lock Cables
Software	SmartPSS

Exit Button and Door sensor

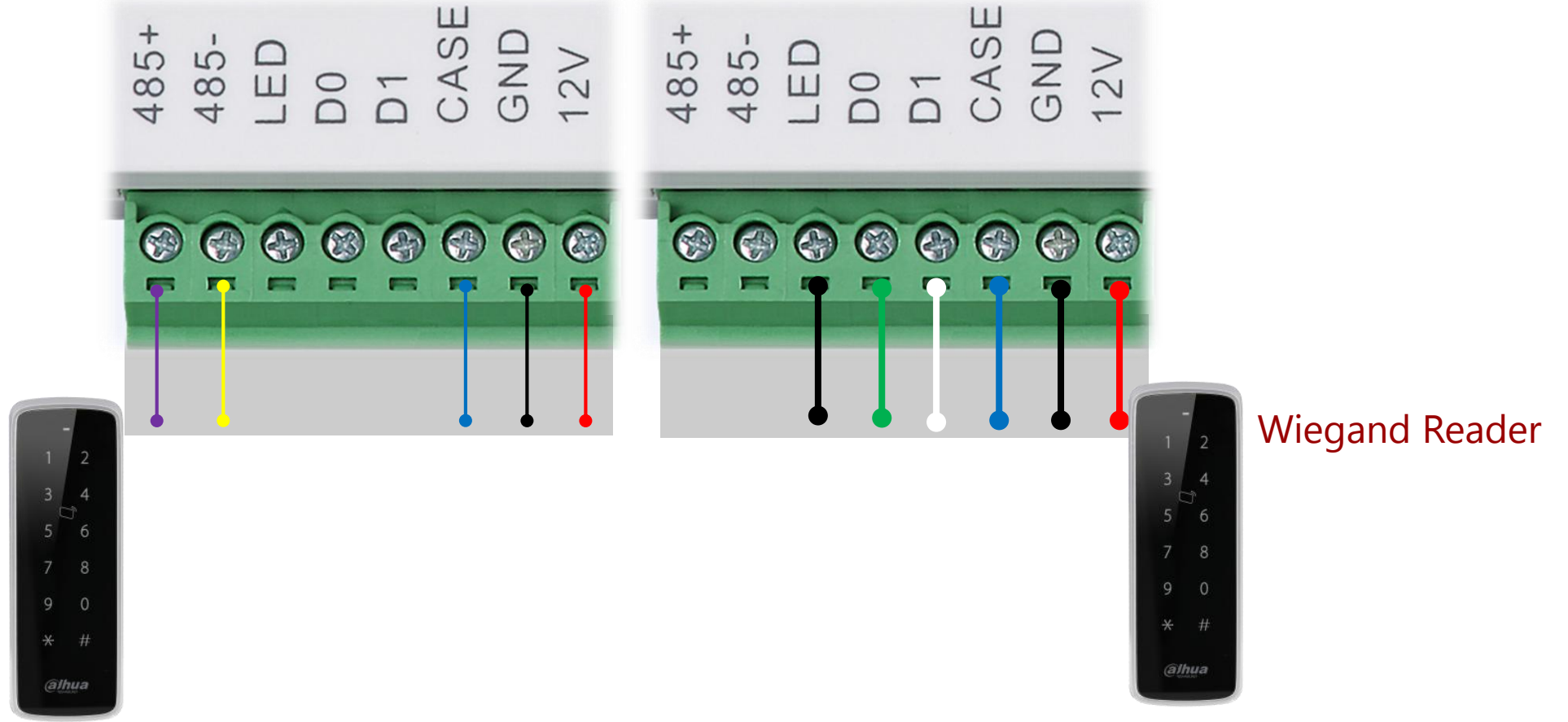


Magnetic Lock



Usually, inside of magnetic lock there are interface of door sensor. In this case, another door sensor is not necessary in the system.

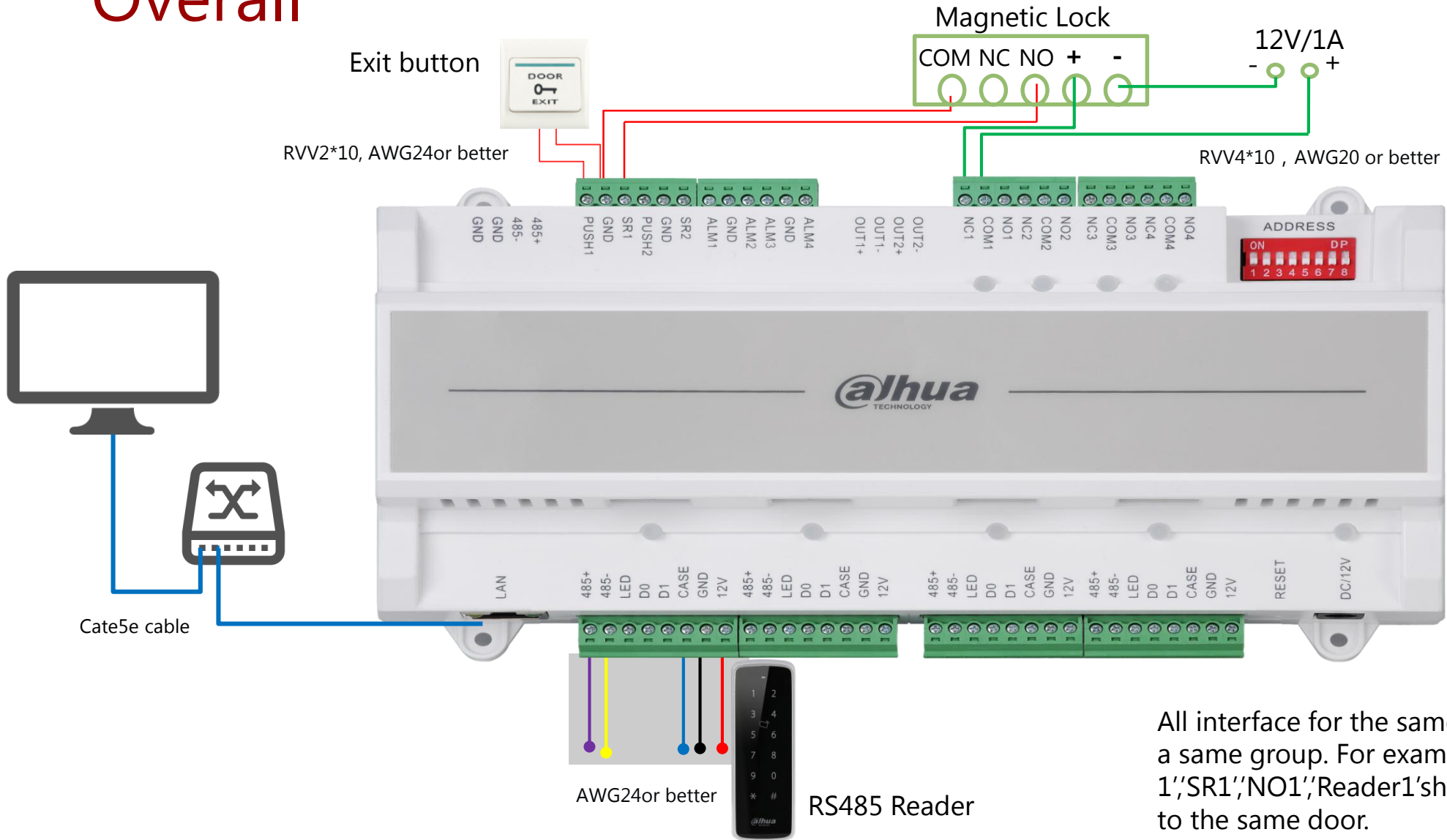
Reader



485 Reader

Wiegand Reader

Overall



All interface for the same door should be in a same group. For example, 'PUSH 1','SR1','NO1','Reader1'should be connected to the same door.